

Bi-Metal Hack Saw Blades

Bi-metal hack blades will bend and flex, resisting shattering for safer sawing and longer lasting blades.

Features & Benefits

- Vacuum heat treating creates harder edge for faster, easier cutting
- High speed steel cutting edge with 8% cobalt for longer blade life
- Increased heat and wear resistance for longer life
- Flexible to prevent shattering during use

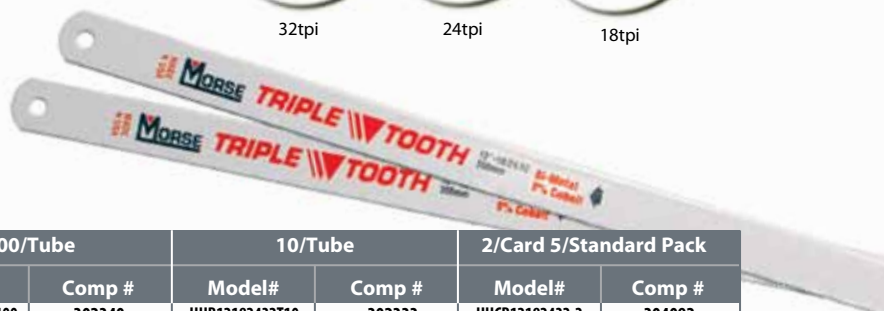
Applications

Pipe, tubing, solids, wood, plastic or any machinable metal.

Triple Tooth™ Bi-Metal Hack Saw Blade

Utilize maximum cutting efficiency with three teeth sizes. Lead off with 32tpi, move to 24tpi for more aggressive strokes and complete the stroke with 18tpi. Or isolate the blade to use only one section.

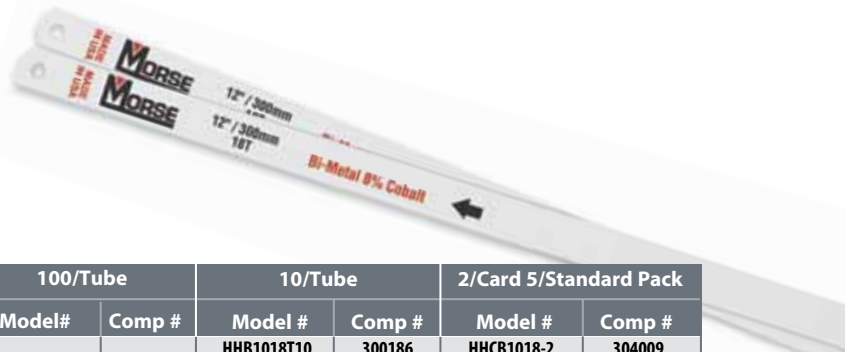
Cut wood, plastic or any machinable metal, including conduit, stainless steel tubing, angle iron, copper tubing, structural materials and more.



Length X Width X Thickness		Teeth Per Inch	100/Tube		10/Tube		2/Card 5/Standard Pack	
Inches	mm		Model#	Comp #	Model#	Comp #	Model#	Comp #
12 X 1/2 X .025	300 X 12.7 X .6	18/24/32	HHB12182432T100	302340	HHB12182432T10	302333	HHCB12182432-2	304092

Standard Bi-Metal Hack Saw Blade

Cut wood, plastic or any machinable metal, including conduit, stainless steel tubing, angle iron, copper tubing, structural materials and more.



Length X Width X Thickness		Teeth Per Inch	100/Box		100/Tube		10/Tube		2/Card 5/Standard Pack	
Inches	mm		Model #	Comp #	Model#	Comp #	Model #	Comp #	Model #	Comp #
10 X 1/2 X .025	250 X 12.7 X .6	18	HHB1018	360180			HHB1018T10	300186	HHCB1018-2	304009
10 X 1/2 X .025	250 X 12.7 X .6	24	HHB1024	360241			HHB1024T10	300247	HHCB1024-2	304016
10 X 1/2 X .025	250 X 12.7 X .6	32	HHB1032	360326			HHB1032T10	300322	HHCB1032-2	304023
12 X 1/2 X .025	300 X 12.7 X .6	14	HHB1214	362146	HHB1214T100	300100	HHB1214T10	302142	HHCB1214-2	304030
12 X 1/2 X .025	300 X 12.7 X .6	18	HHB1218	362184	HHB1218T100	300117	HHB1218T10	302180	HHCB1218-2	304047
12 X 1/2 X .025	300 X 12.7 X .6	24	HHB1224	362245	HHB1224T100	300124	HHB1224T10	302241	HHCB1224-2	304054
12 X 1/2 X .025	300 X 12.7 X .6	32	HHB1232	362320	HHB1232T100	300131	HHB1232T10	302326	HHCB1232-2	304108
Variable Pitch										
12 X 1/2 X .025	300 X 12.7 X .6	14/18	HHB121418	362153	HHB121418T100	300148	HHB121418T10	302159	HHCB121418-2	304061
12 X 1/2 X .025	300 X 12.7 X .6	20/24	HHB122024	362160	HHB122024T100	300155	HHB122024T10	302166	HHCB122024-2	304078
12 X 1/2 X .025	300 X 12.7 X .6	26/32	HHB122632	362177	HHB122632T100	300162	HHB122632T10	302173	HHCB122632-2	304085

Carbide Grit Rod Saws

The thin cutting profile makes it easy to cut shapes and patterns even in limited access areas with these specialty blades on a standard hack saw frame.

Features & Benefits

- Will not tear thin materials
- Carbide grit is permanently bonded to a steel alloy rod
- Cuts in both directions

Applications

Glass, hardened steel, stranded cable and ceramic tile



Dimensions		25/Box		3/Tube		1/Card - 5/Box	
Inches	mm	Model #	Computer #	Model #	Computer #	Model #	Computer #
10	250	HRTCG10	362214	HRTCG10T03	362351	HRCTCG10	332217
12	300	HRTCG12	362221	HRTCG12T03	362368	HRCTCG12	332224

Carbide Grit Hack Saw Blades

Cut difficult materials including hydraulic hose and stranded cables with these specialty blades on a standard hack saw frame.

Features & Benefits

- Blades cut on both the push and pull stroke for faster cutting and longer life
- Super resistant to heat, wear, abrasion, or "snagging"
- Cuts materials other blades can't cut
- Carbide grit bonded to the steel blade

Applications

Glass, hardened steel, stranded cable and ceramic tile



Dimensions		25/Box		3/Tube		1/Card - 5/Box	
Inches	mm	Model #	Computer #	Model #	Computer #	Model #	Computer #
10	250	HHTCG10	362191	HHTCG10T03	362337	HHCTCG10	332194
12	300	HHTCG12	362207	HHTCG12T03	362344	HHCTCG12	332200

Mini Hack Saw Frame

This lightweight plastic frame is ideal for cutting in small, hard to reach areas. It is durable, comfortable to use and comes complete with a 10" bi-metal blade.

PACKAGING: 5 saws per box.



Description	Model #	Computer #
Mini hand hack saw frame with 10" bi-metal blade	HHBF05-10	330077

Hack Saw Frames

Our hack saw frames are high tension frames with ergonomic grip for straight cuts. All hacksaw frames come with one 12" (300mm) 24 TPI blade

PACKAGING: 1 frame per sleeve. 4 frames per box.

MASTER McCOY®

Another Morse original and the finest high performance hack saw frame you can find. It is stronger, cuts straighter, helps blades last longer and is more comfortable to use than other frames. It also offers more versatility and can make either standard or flush cuts.

Model No. **HHBFO2 / 330022**
Includes (1) 12" 20/24 TPI Blade

Locking Screw Design allows for storage of extra blades and secures blade for "jab" sawing

Alloy Steel Support Beam makes frame stronger and allows over 30,000 PSI tensioning.

Ergonomic grip protects fingers and grips comfortably

Multiple Pin Locations for mounting blade at 90° or 45° for standard or flush-cut applications

Tensioning Handle provides extra torque to keep blades rigid for straighter cuts and longer blade life.



Lightweight High Tension Frame

Made from lightweight aluminum, it cuts straight whether making standard or flush cuts.

Model No. **HHBFO1 / 330015**
Includes (1) 12" 24 TPI Blade

Locking Screw Design allows for storage of extra blades and secures blade for "jab" sawing

Multiple Pin Locations for mounting blade at 90° or 45° for standard or flush-cut applications

Tensioning Handle provides extra torque for straighter cuts and longer blade life



From the deluxe lightweight Contractor High Tension Frame, to the ergonomically designed Contractor HD and the ever versatile Contractor Utility, Morse offers a hack saw frame for your contracting needs.

Contractor High Tension

Model No. **HHBFO4 / 300056**

Contractor HD

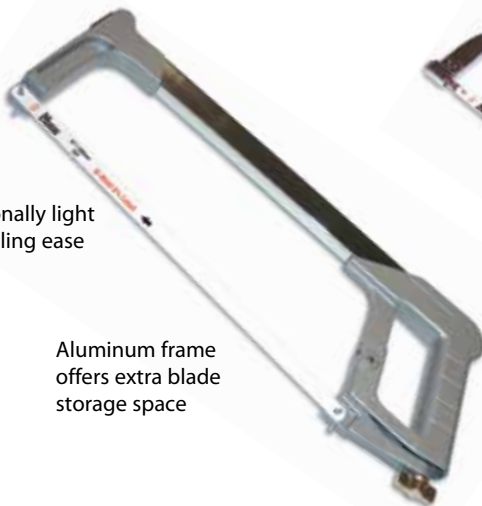
Model No. **HHBFO3 / 300070**

Contractor Utility

Model No. **HHBFO6 / 300063**

Exceptionally light for handling ease

Aluminum frame offers extra blade storage space



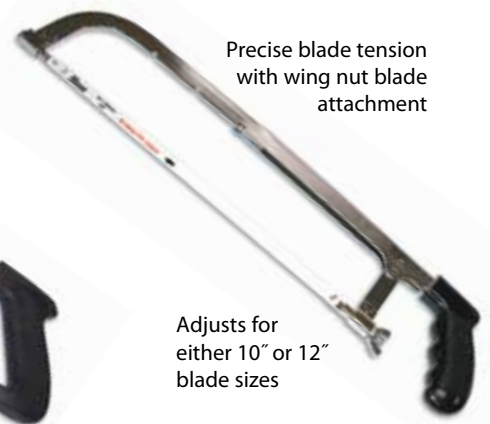
Excellent choice for tight spaces

Rubber handle for strong, comfortable grip



Precise blade tension with wing nut blade attachment

Adjusts for either 10" or 12" blade sizes





PVC/ABS Saw & Replacement Blades

A handy carbon steel saw for plumbers, electricians and DIY. These saws are light and comfortable with replaceable spring-tempered steel blades. Cuts on the pull stroke for quick, accurate cutting action.

Features & Benefits

- Spring tempered carbon steel blade for superior wear resistance and long life
- Tooth hardness 65Rc for cutting PVC/ABS
- Precision-milled teeth for smooth cutting and easy use
- Comfort-grip cast aluminum handle allows less fatigue while cutting
- Single screw attachment means no tools required for blade changes

Applications

PVC, Plastic, Wood



Description	Model #	Computer #
12" (305mm) Carbon Steel PVC/ABS Saw	HPVC1201	330107
18" (450mm) Carbon Steel PVC/ABS Saw	HPVC1801	330114
12" (305mm) Carbon Steel Replacement Blade	HPVCB12	330121
18" (450mm) Carbon Steel Replacement Blade	HPVCB18	330138

Power Hack Saw Blades

Bi-metal blades for use on modern high production power hack saw machines.

PACKAGING: 10 blades per box.

Length X Width X Thickness		Model #	Computer #	Teeth Per Inch
Inches	mm			
12 X 5/8 X .050	300 X 15.8 X 1.3	PHW125814	370011	14
		PHW125818	370028	18
12 X 1 X .050	300 X 25.4 X 1.3	PHW1205010	370035	10
		PHW1205014	370042	14
14 X 1 X .050	350 X 25.4 X 1.3	PHW1405010	370059	10
		PHW1405014	370066	14
14 X 1-1/4 X .062	350 X 32 X 1.6	PHW1406206	370073	6
		PHW1406210	370080	10
14 X 1-1/2 X .075	350 X 38 X 1.9	PHW1407504	370103	4
		PHW1407506	370110	6
17 X 1 X .050	425 X 25.4 X 1.3	PHW1705010	370127	10
		PHW1705014	370134	14
17 X 1-1/4 X .062	425 X 32 X 1.6	PHW1706206	370141	6
		PHW1706210	370158	10
18 X 1-1/4 X .062	450 X 32 X 1.6	PHW1806206	370165	6
		PHW1806210	370172	10
18 X 1-1/2 X .075	450 X 38 X 1.9	PHW1807504	370196	4
		PHW1807506	370202	6
18 X 1-3/4 X .088	450 X 45 X 2.2	PHW1808804	370226	4
		PHW1808806	370271	6
21 X 1-3/4 X .098	525 X 45 X 2.2	PHW2108804	370240	4
		PHW2108806	370257	6
24 X 2 X .100	600 X 50 X 2.5	PHW2410004	370264	4

