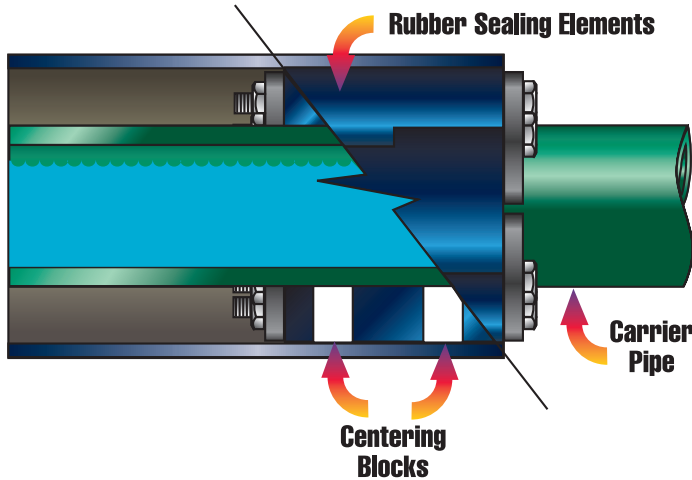


Innerlynx® Centering Blocks

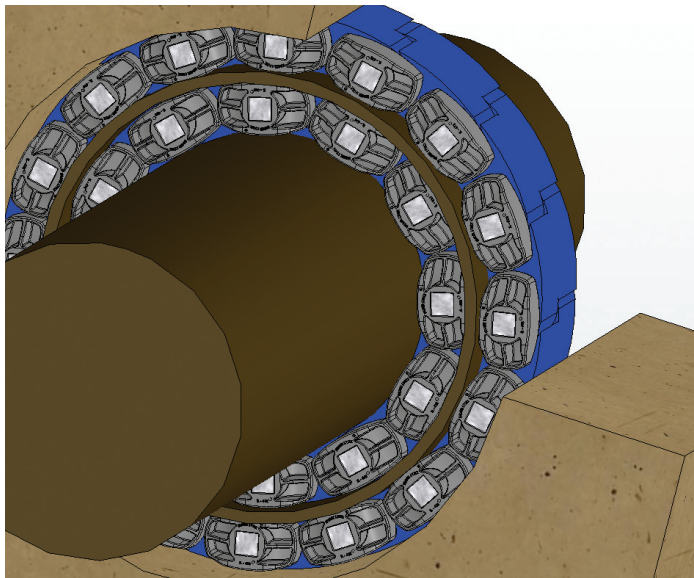
Centering blocks are UHMW support block reinforcements positioned in the bottom 25% of the Innerlynx® assembly. Centering blocks assure a penetrating pipe will stay “centered” within its casing and adds extra support against heavy loads. This and the fact that, unlike pipeline boots, they are set within the inner casing and protected from sharp aggregate and equipment, make them a perfect endseal for pipelines.

The recommended quantity of Centering Blocks are listed on the chart adjacent.



Double Sealing Applications

When an annular space is larger than the expanded thickness of a single Innerlynx®, it is necessary to use an intermediate sleeve and another Innerlynx® assembly as seen in the example below. Call the factory for sizing assistance at 1-800-315-6009.



Double seals require an intermediate sleeve between each wrap of Innerlynx®. Even triple installations can be accomplished successfully.

Centering Blocks Sizing Chart

Centering Blocks are for sealing carrier pipes installed on casing, such as under highways, railroads and bridge crossings. They fit between the I.D. of the casing pipe and the O.D. of the carrier to form a watertight seal. Ordering information: See IL sizing specifications on chart below. For large sizes, please call. All dimensions are assumed to be IPS.

IPS Carrier Pipe Size (normal)	IPS Casing Pipe Size (normal)	IL Number	Qty. of IL	Qty. of ILs with Centering Blocks Included
½"	2"	IL200-**	4	0
¾"	2½"	IL275-**	5	0
1"	2½"	IL200-**	5	0
1¼"	3"	IL275-**	7	0
1½"	3½"	IL300-**	5	0
2"	4"	IL300-**	6	0
2½"	4"	IL200-**	9	0
3"	5"	IL300-**	8	0
3½"	6"	IL315-**	10	0
4"	6"	IL300-**	10	0
4"	8"	IL400-**	5	0
6"	10"	IL400-**	7	0
8"	12"	IL400-**	9	0
10"	14"	IL425-**	10	0
12"	16"	IL425-**	12	0
14"	18"	IL400-**	13	4
16"	20"	IL400-**	15	4
18"	22"	IL400-**	17	4
20"	24"	IL400-**	18	5
22"	26"	IL400-**	20	5
24"	28"	IL400-**	22	5
26"	30"	IL400-**	24	6
28"	32"	IL400-**	25	7
30"	34"	IL400-**	27	7
32"	36"	IL400-**	29	8
34"	40"	IL500-**	29	8
36"	42"	IL500-**	31	8
42"	48"	IL500-**	36	9
48"	54"	IL500-**	41	11
54"	60"	IL500-**	46	12

** Specify (C) carbon or (S) stainless steel hardware